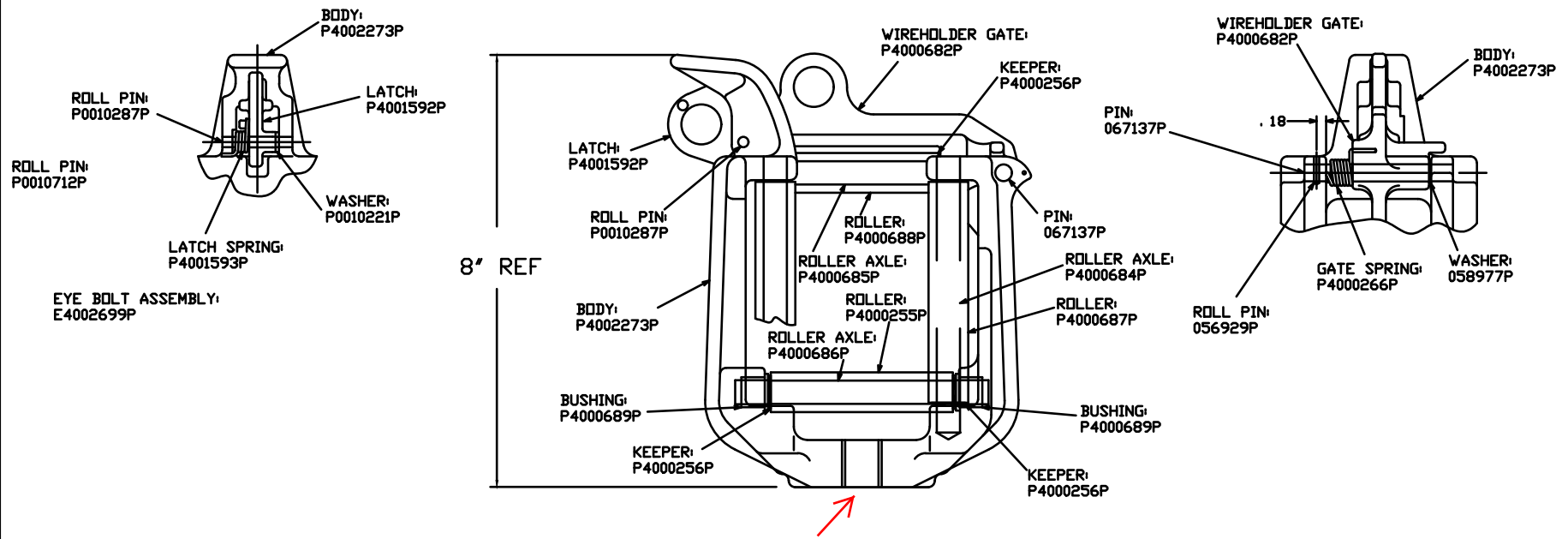



CONFIDENTIAL: THIS DRAWING AND ITS CONTENTS ARE CONFIDENTIAL AND THE EXCLUSIVE PROPERTY OF HUBBELL POWER SYSTEMS. NO PUBLICATION, DISTRIBUTION OR COPIES MAY BE MADE WITHOUT THE WRITTEN CONSENT OF HUBBELL POWER SYSTEMS. HUBBELL POWER SYSTEMS UNPUBLISHED ALL RIGHTS RESERVED UNDER THE COPYRIGHT LAWS.				HUBBELL POWER SYSTEMS		
		TITLE SHEAVE WIREHOLDER ROPE FOR 4 X 4		SIZE B	DWG NO. T400-2530	CAT / PART / ASSY NO. T400-2530
DO NOT SCALE THIS DRAWING		DRN BY RAM	DATE 9/16/13	SHEET 1 OF 1		



E400228P IS THE COMPLETE ASSEMBLY FOR WIREHOLDER HEAD.
 INCLUDES ROLLERS ASSEMBLED.
 BOTTOM HOLE IS 1.031 INCH DIAMETER, DRILLED THROUGH, NO THREADS

CHANCE		 HUBBELL POWER SYSTEMS <small>POWER SYSTEMS, INC.</small>	
<small>CONFIDENTIAL: THIS DRAWING AND ITS CONTENTS ARE CONFIDENTIAL AND THE EXCLUSIVE PROPERTY OF HUBBELL POWER SYSTEMS. NO PUBLICATION, DISTRIBUTION OR COPIES MAY BE MADE WITHOUT THE WRITTEN CONSENT OF HUBBELL POWER SYSTEMS. HUBBELL POWER SYSTEMS UNPUBLISHED ALL RIGHTS RESERVED UNDER THE COPYRIGHT LAWS.</small>		TITLE SINGLE WIREHOLDER	
		SIZE B SA4000747	CAT / PART / ASSY NO. SEE CHART
DO NOT SCALE THIS DRAWING	DRN BY RAM	DATE 8/24/17	REV --
		SHEET 1 OF 1	